

Make boxes from scratch out of any card stock with our **TABLETOP**

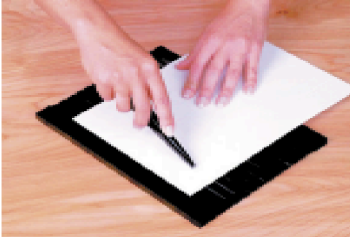
BOXMAKER ORIGINALE (tm) -- U.S. Patent # 5,484,373 and Patent # 5,707,327 --- Jan. '98

**FOLLOW THESE FOUR
SIMPLE STEPS FOR
ANY AND EVERY SIZE
TELESCOPE BOX ...**

#3 -- FOLD ON SCORES



**#1 -- SCORE ALL FOUR EDGES
OF TOP AND BOTTOM**



#4 -- GLUE CORNERS

**AND YOU'VE
MADE A BOX!**



#2 -- CUT NOTCHES AT CORNERS



BASIC BOXMAKER ORIGINALE:

8" X 11" Overall ... makes boxes of any length and width up to 6.5" deep in 1/2" increments... includes scoring tool, complete instructions, 8-1/2" x 11" card stock blanks -- enough to make 2 boxes. Also make boxes out of recycled cereal boxes, writing paper pad backs, shirt cardboard, etc. Patented spacing system guarantees tops and bottoms fit together perfectly.

Price \$19.95

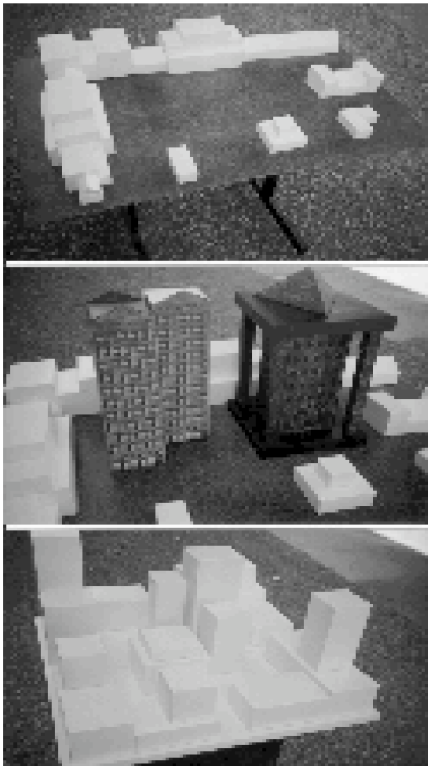
Additional card stock blanks; .018" thick, coated one side -- pack of 50 --- 8-1/2" x 11"

Price \$12.50 / PACK

**ABSOLUTE SATISFACTION
UNCONDITIONALLY
GUARANTEED.**

**TRY ONE FOR THIRTY DAYS --
RETURN IF NOT SATISFIED**

Make architectural models as shown here



These Boxmakers were originally designed for (1) architects to make models (2) box designers and (3) advertising agencies for making box prototypes.

They have since found use by teachers of all types and for a wide variety of other applications. 300,000 of the Boxmaker Originale have been sold through 2001.

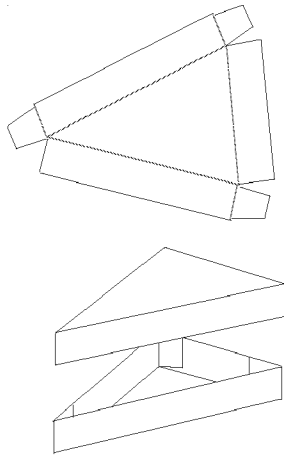
The Boxmaker Mini and Boxmaker Grande are both relatively new and have only been in the marketplace for a few months.

Order from: Martin R. Carbone / 5123 Don Rodolfo Drive / Carlsbad, CA 92010 / tel: 760-603-1910 / fax: 760-603-1930

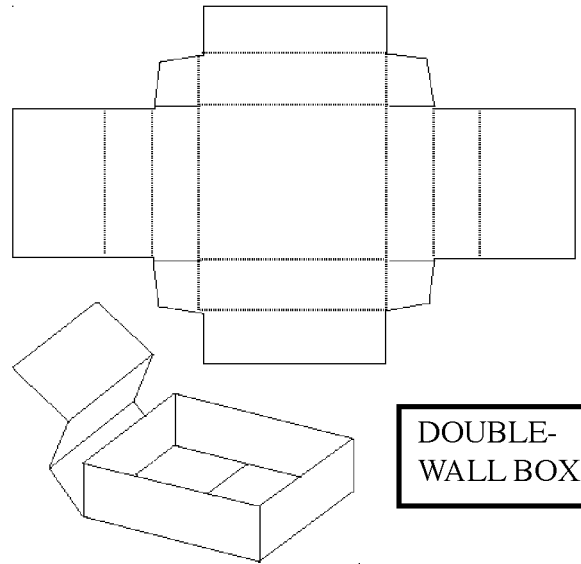
Price ---\$19.95 plus UPS shipping --- Please send check with order --- or we accept Visa and MasterCard credit cards
Cal. orders add Sales Tax --- **Rated Firms shipped open account, net 10 days.**

ALL OF THESE BOXES can easily be made with the **Boxmakers** shown in this catalog ... for fun and profit .. in the office, home, shop, library, museum or lab ... use them for storage or shipping -- or turn them into architectural models, mobiles, toys, gifts and whatever.

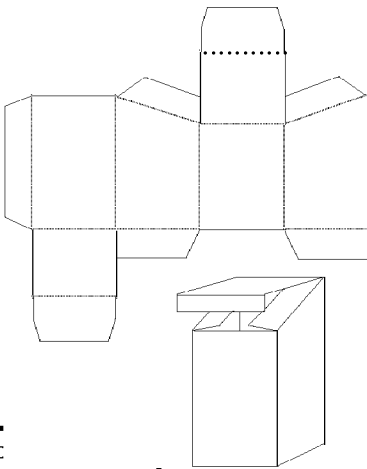
See next page for details.
Order from the address below
Absolute satisfaction is unconditionally guaranteed.



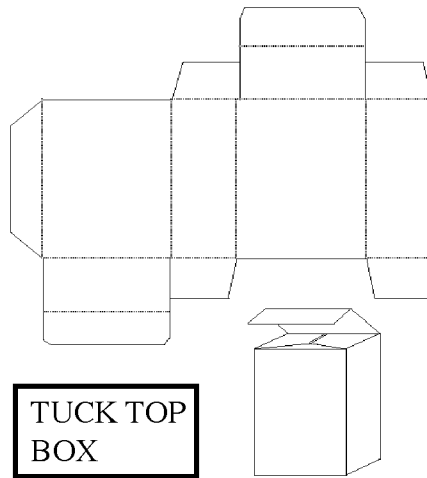
TRIANGLE BOX



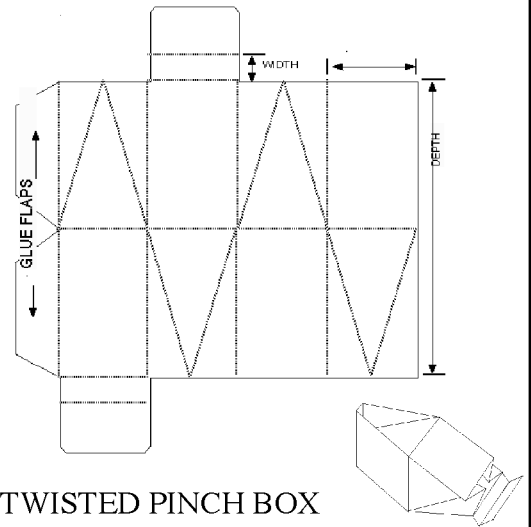
DOUBLE-WALL BOX



F

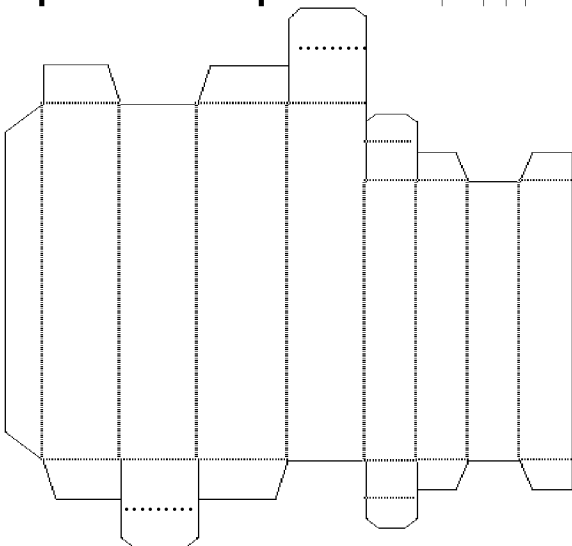


TUCK TOP BOX



TWISTED PINCH BOX

JOINED SIDE-BY-SIDE



STRAIGHT PINCH BOX

MAKE TUCK TOP BOXES ...

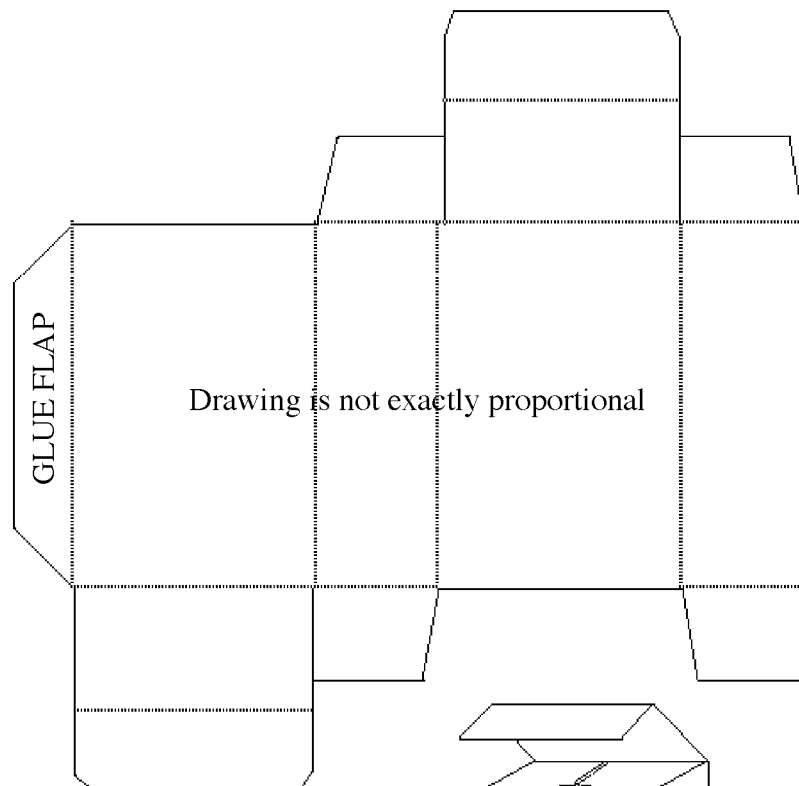
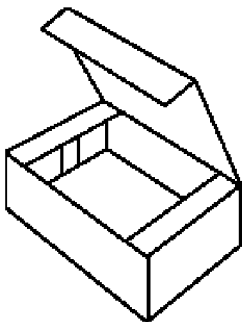
Once you have made a few telescoping boxes with the Boxmaker Originale (tm) you will be ready to make boxes like like the TUCK TOP box shown here.

- 1 (a) Use the side of the Boxmaker Originale (tm) marked "BOTTOM" -- (the spacing from the guide rail to the scoring slots is the same as the nominal marked dimension on "BOTTOM") -- (b) Cut cardstock blank to size as discussed below.
- 2 Score at the appropriate dimensions parallel to the edges and cut away the material outside the box you want. For instance, if you want the box to be 3 x 2 x 8", with 1" dust flaps and a 1" glue flap -- you would (a) score at 1", 4", 6", and 9" parallel to the 8" vertical edge of the blank and (b) score at 1", 3", 11", and 13" from the 11" edge.
- 3 You should then be able to cut the notches for the flaps and a little clearance for the panels that fold inside. You can cut the width of the long flap down so it goes neatly in place.

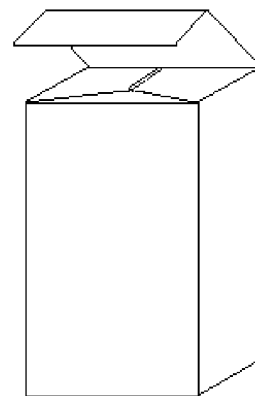
BLANK SIZE for a box with an opening length of 3", an opening width of 2" and a depth of 8"

Horizontal dimension = 2 widths plus 2 lengths plus 1" glue flap
This adds to 11"

Vertical Dimension = 2 widths plus 1 depth plus two 1" flaps.
This adds to 14"



Dimensions and proportions can be changed to make boxes of various lengths, widths and depths -- as shown by these 2 completed boxes

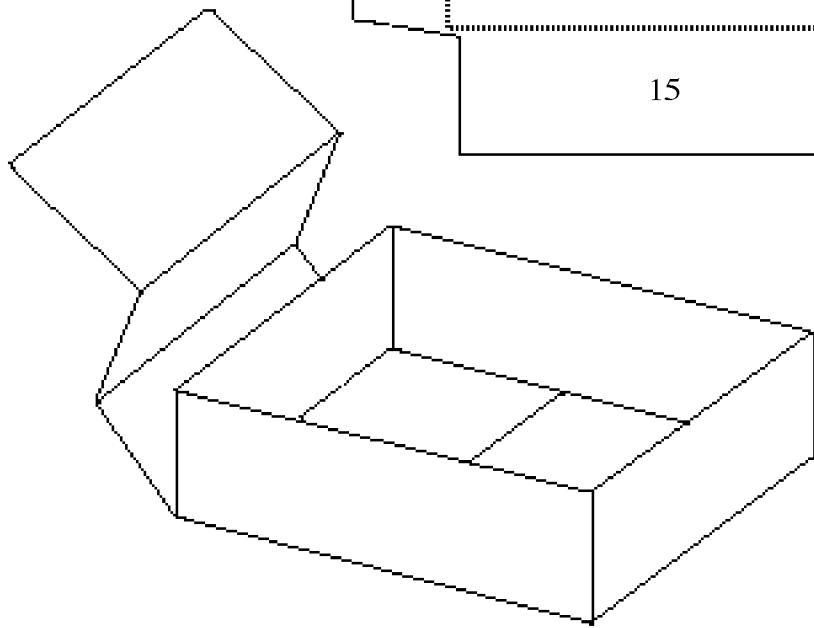
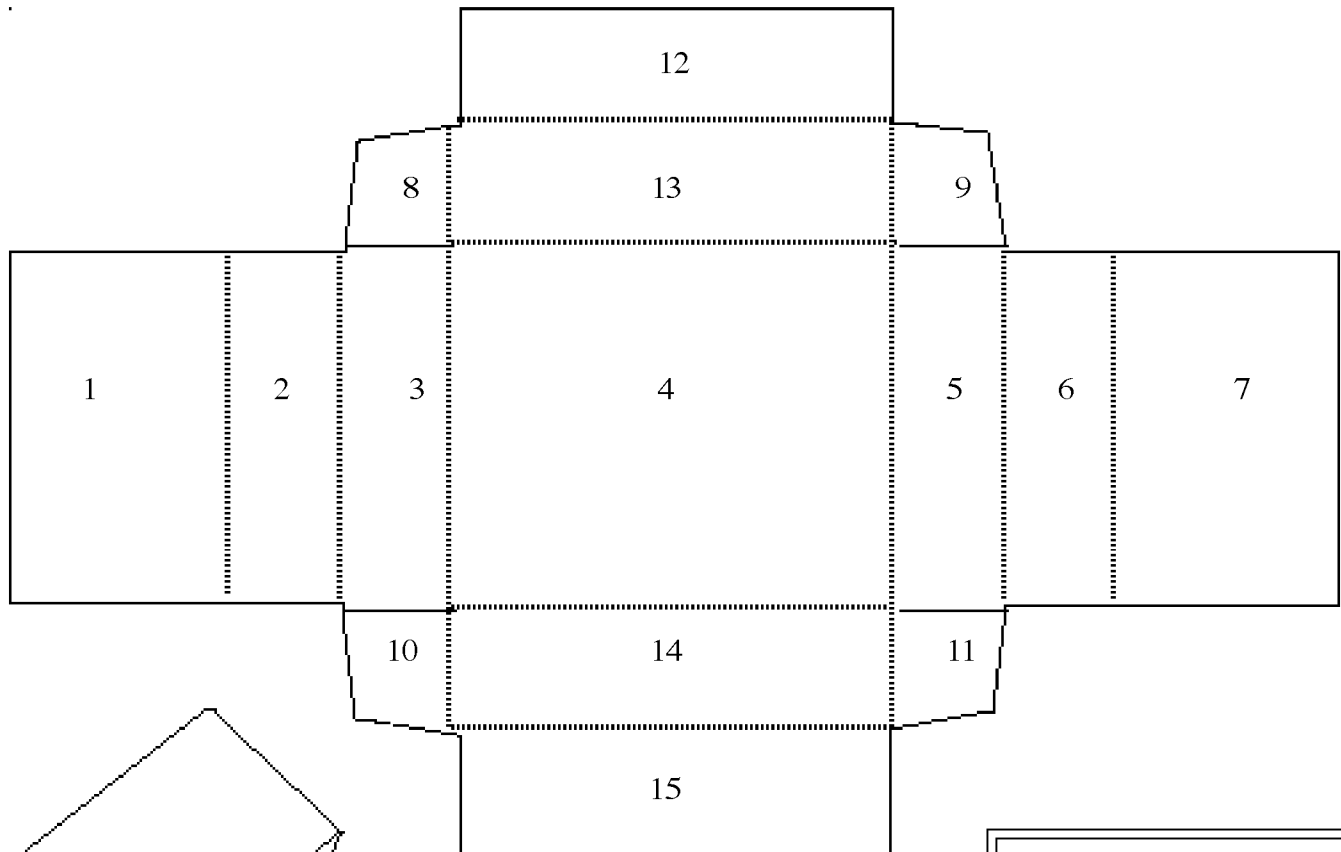


TRIPLE-DOUBLE BOX BOTTOM -- Can easily be made with the Boxmaker Originale (tm).

All four side walls and box bottom are double thickness after panels are folded over and in.

NOTES:

- 1 Use BOTTOM side of Boxmaker Originale(tm) to make bottom of this box.
- 2 Top of this box must be single wall. Double wall would make top too small to clear bottom.
- 3 All panels that fold in have to be trimmed slightly to provide clearance.
- 4 Panels 1 and 7 can be glued to panel 4 -- or not if they are cut to the proper size
- 5 If measurements are carefully made -- panels 1 and 7 will butt tightly against each other and this box bottom will hold together without glue.



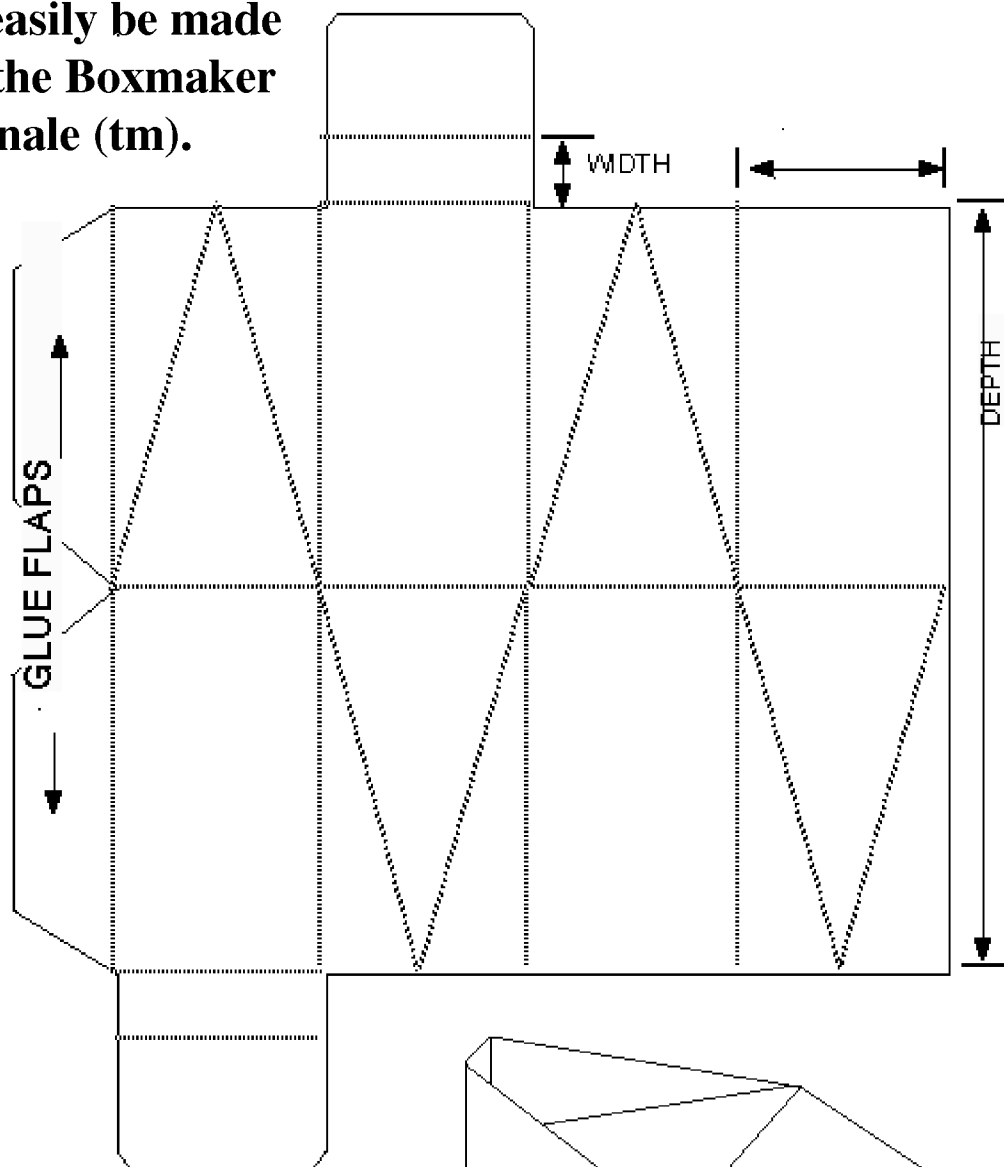
**Wonderful for
making box
prototypes for
new products**

DOUBLE ENDED, TWISTED, PINCH BOX LAYOUT

Can be scaled up or down to any size.
Use cardstock from about .015" to .030" thick

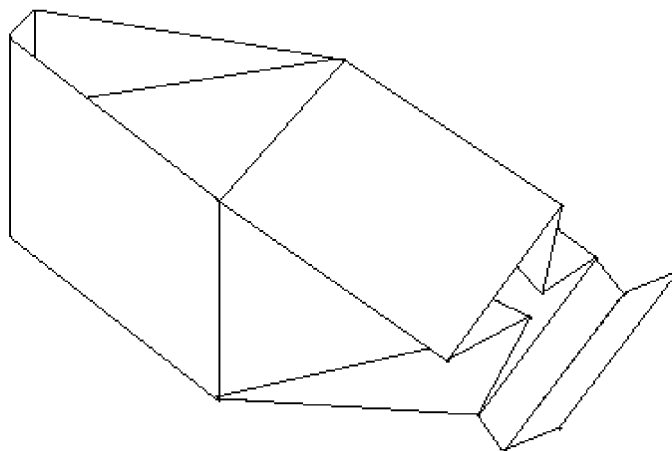
Dashed lines are scores.
Use "BOTTOM" side of
Boxmaker Originale (tm)

**Can easily be made
with the Boxmaker
Originale (tm).**



Notes:

- 1 Fold into tube shape
- 2 Outside of glue flap is glued to inside of opposite panel.
- 3 Four sides collapse in.
- 4 End tabs slip into openings at ends. One tab can be glued in place



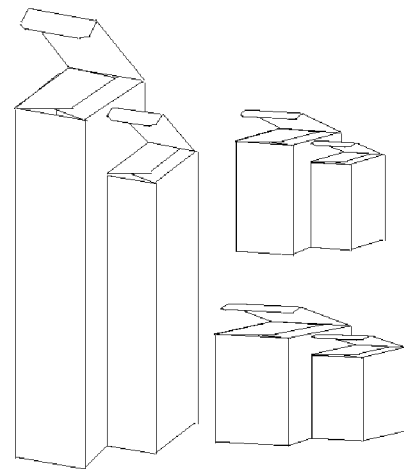
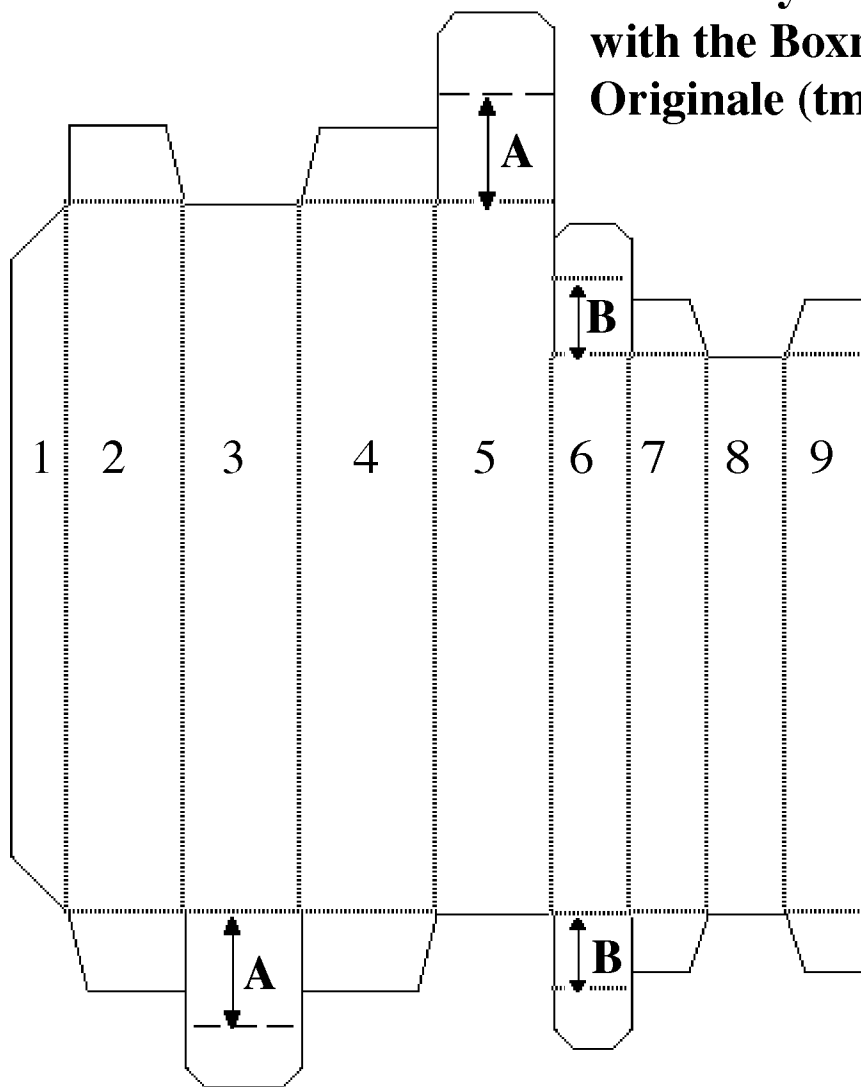
TWO JOINED BOXES -- can be made in any size you choose from ONE sheet.

- 1 Use side marked "BOTTOM" on Boxmaker Originale (tm) to make 10 vertical scores and 9 horizontal scores. Pick any dimensions at 1/2 " intervals for the length and width of the panels. These scores define the outside dimensions of the layout and all panels.
- 2 Use scissor or craft knife to cut outline of box along appropriate scored lines
- 3 Taper and trim 12 flap panels as shown
- 4 Fold up and glue

Can be made in any proportions -- follow these rules

- 1 Panels 2 and 4 are same width and are the same dimension as **A**
- 2 Panels 3 and 5 are same width
- 3 Panels 6 and 8 are same width
- 4 Panels 7 and 9 are same width and are the same dimension as **B**
- 5 Panels 2 to 5 are same height
- 6 Panels 6 to 9 are same height

Can easily be made
with the Boxmaker
Originale (tm).

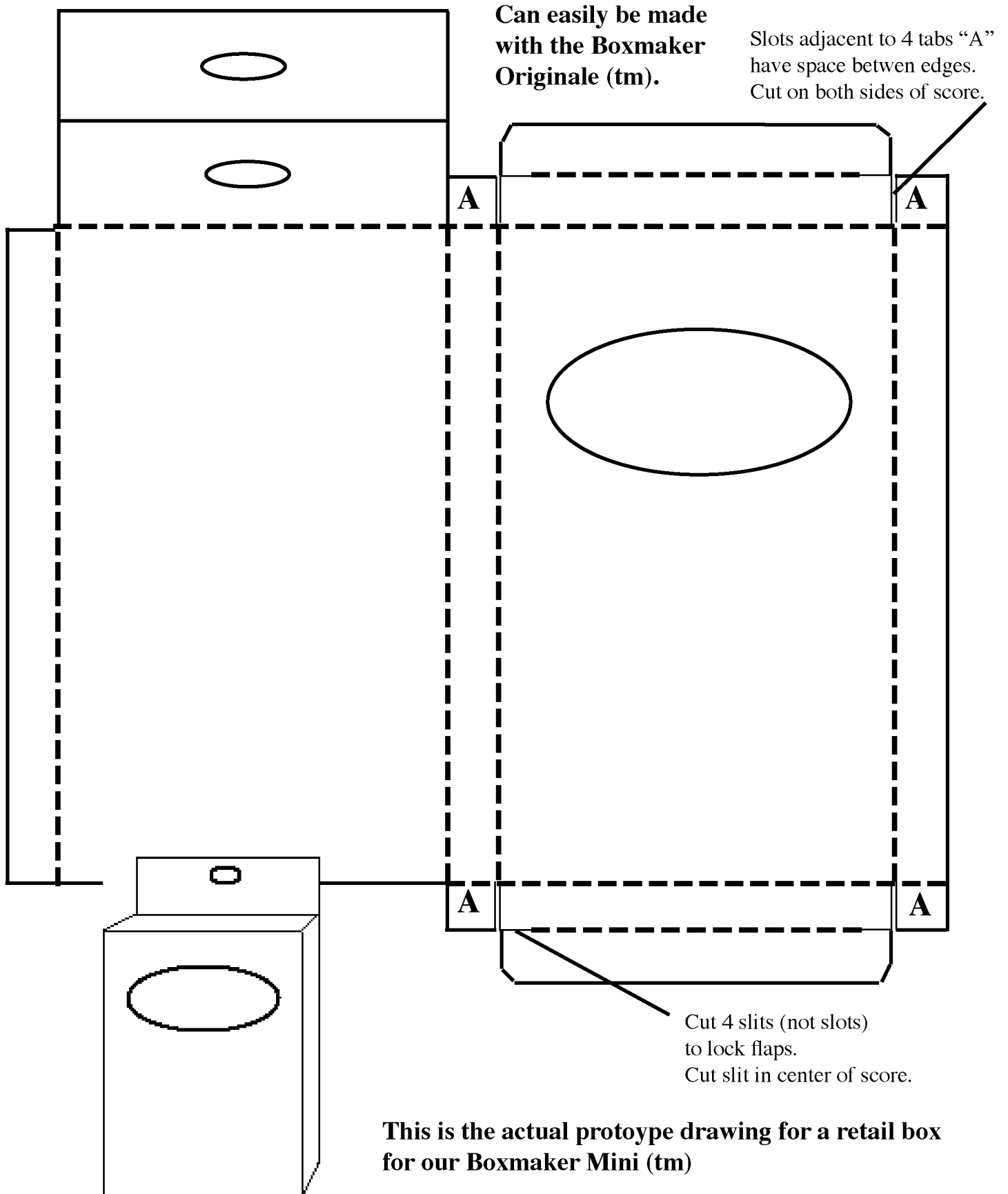


ASSEMBLY

- 1 Panels are numbered in drawing
- 2 Panels 1 to 5 wrap into a tube.
- 3 Glue outside of panel #1 to inside of panel #5 (use glue gun for all gluing)
- 4 Panels 6 to 9 wrap into a tube
- 5 Glue outside of panel #9 to inside of panel #5
- 6 Fold in flaps at both ends and you have two joined boxes

BOX WITH HANG-TAB AND WINDOW

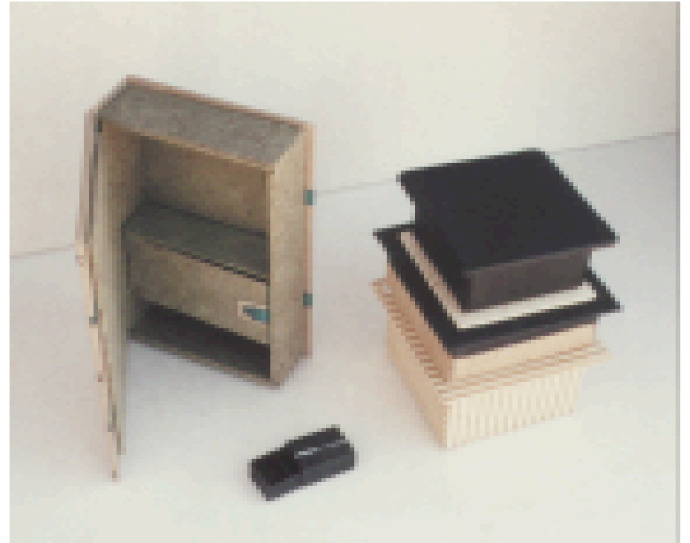
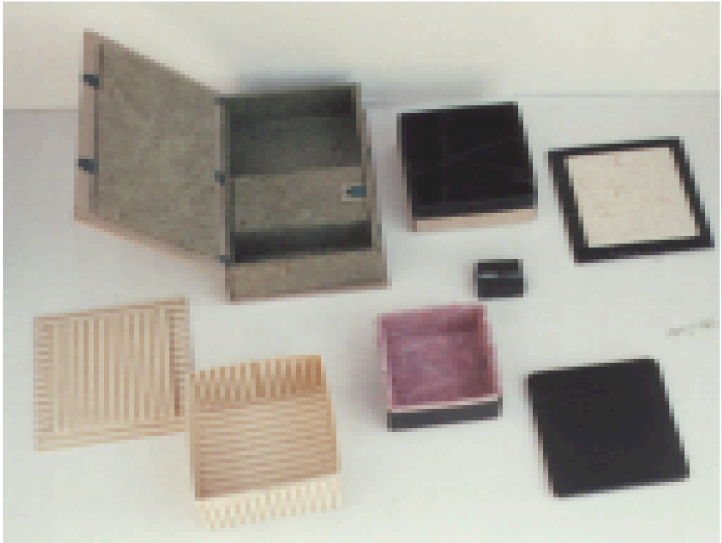
USE CARDSTOCK ABOUT .018" TO .022" THICK



You can make simple boxes or truly spectacular boxes -- worthy of the finest gifts.

Michael Elwell used elegant cloth and fine imported paper to finish these boxes

All boxes on this page made by Michael Elwell



Leather Bound Boxes ---

The top set of 5 boxes are all 3 x 2 x 1 inches

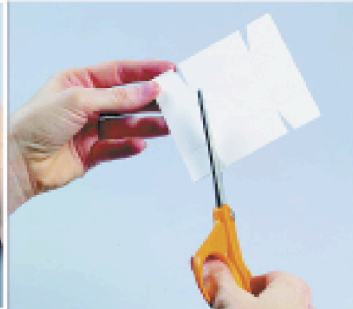


With the help of our Boxmaker Originale™, Michael Elwell of Santa Barbara made these wonderful boxes in which to keep precious jewelry or mementos. They are covered with gray, black and tan garment leather. The inside and edges are upholstered in fine imported paper.

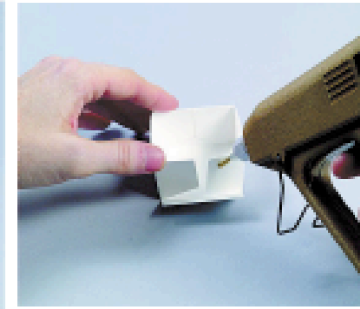
Mini-Boxmaker (tm) -- patent numbers 5,707,327 & 5,484,373. Works on the same principle as the Boxmaker Original (tm) -- except -- the MINI works with thin cardstock and thick paper. Great for recycling greeting cards.



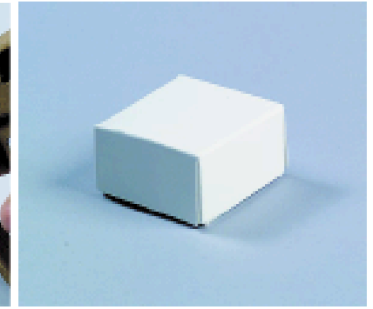
Score



Cut



Fold and glue



Done

ACTUAL SIZE ---

Mini-Boxmaker Martin R. Carbone •760-744-2958	BOTTOM		1/4"	1/2"	3/4"	1"	1-1/4"	1-1/2"	1-3/4"	2"	2-1/4"	2-1/2"	2-3/4"	3"	3-1/4"	3-1/2"	3-3/4"	4"	4-1/4"
	TOP		4-1/4"	4"	3-3/4"	3-1/2"	3-1/4"	3"	2-3/4"	2-1/2"	2-1/4"	2"	1-3/4"	1-1/2"	1-1/4"	1"	3/4"	1/2"	1/4"



Make boxes this small. Note the penny and quarter.

This box is cloth covered -- made by Michael Elwell, a well known Santa Barbara artist.

He has also made some wonderful boxes covered in leather and fine handmade papers.

Designed to work efficiently with paper and cardstock from about .008" to .014" thick



SPECIFICATIONS:

Size is 6" x 4.5" --- Make boxes of ANY length and width --- up to 4.25" deep, in 1/4" increments ... Thin scoring slots --- .050" wide ... Supplied with scoring tool ... Good for thin cardstock to .014" thick --- such as greeting cards and .008" thick cardstock (can be run through most laser printers and color copiers) ... Scoring slots are 1/4" apart ... "Top" guide rail is .250" from slots ... "Bottom" guide rail is .275" from slots

\$15.95 PLUS UPS SHIPPING gets you a TABLETOP MINI BOXMAKER (tm) today.
Absolute satisfaction is unconditionally guaranteed. TRY IT FOR 30 DAYS AND RETURN IF NOT SATISFIED